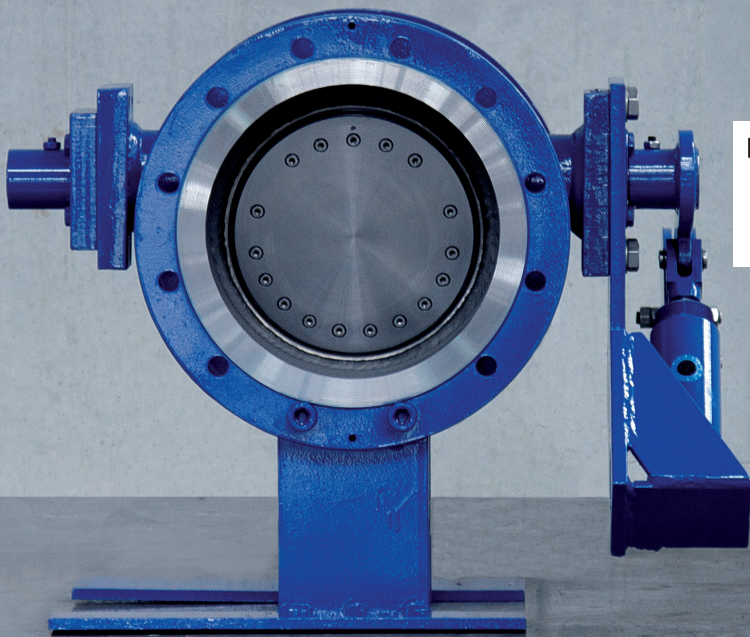


**ZWICK**  
ARMATUREN GMBH 



# TRI-CHECK

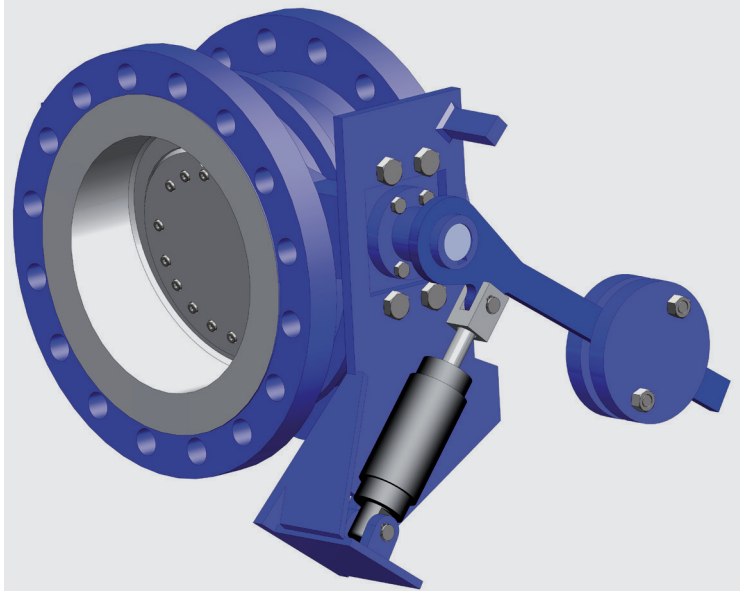
**HEAVY DUTY  
METAL SEATED  
CHECK VALVE**  
Hydraulic dampened

# HIGH STANDARD VALVES FOR NON-STANDARD CONDITIONS.

## TRI-CHECK

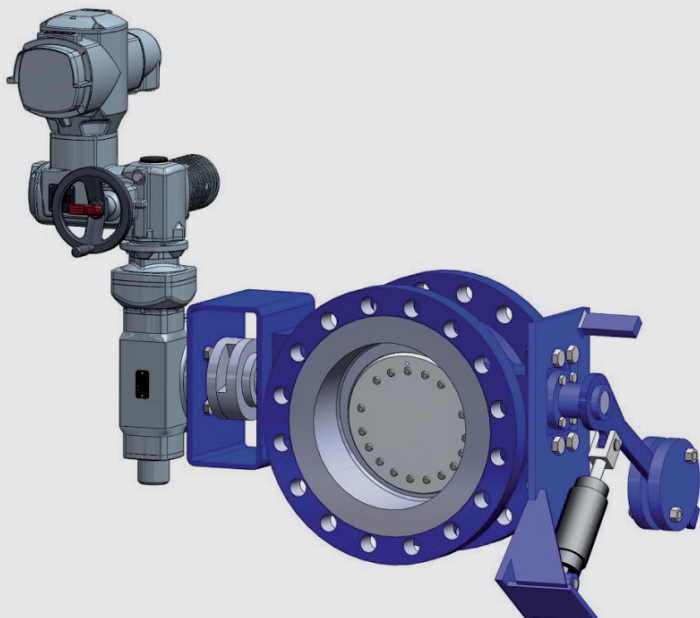
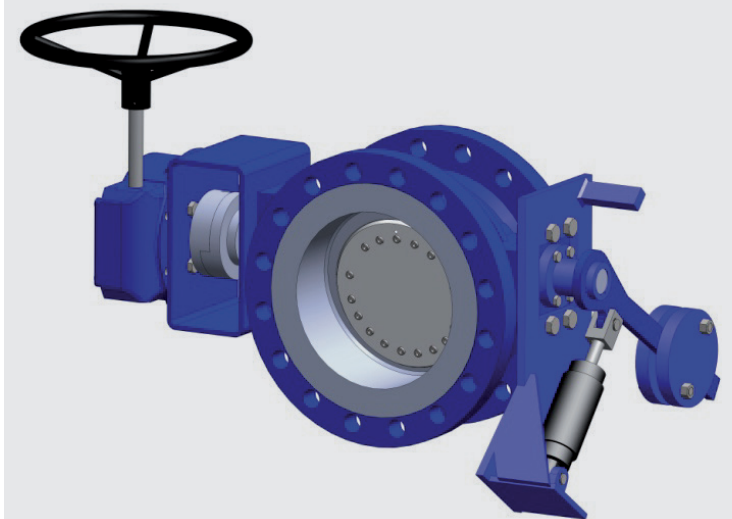
- DN 50 - 1200 / 2" - 48"
- PN 6 - 160 / ANSI 150 - 900
- Maximum sealing performance
- Metal seated
- Triple offset design
- Double flange or butt weld
- Incl. damper & counterweight to prevent water hammer\*

\*min. 2 bar dp and a flow rate of approx. 3m/s is required



## Options

- Manual or automated combined
- Check valve with shut off function
- Protective mesh



**ZWICK**  
ARMATUREN GMBH

Egerstr. 1 & 25  
D-58256 Ennepetal  
TEL +49 (0) 23 33 / 98 56 5  
FAX +49 (0) 23 33 / 98 56 6  
MAIL [info@zwick-gmbh.de](mailto:info@zwick-gmbh.de)

[WWW.ZWICK-VALVES.COM](http://WWW.ZWICK-VALVES.COM)